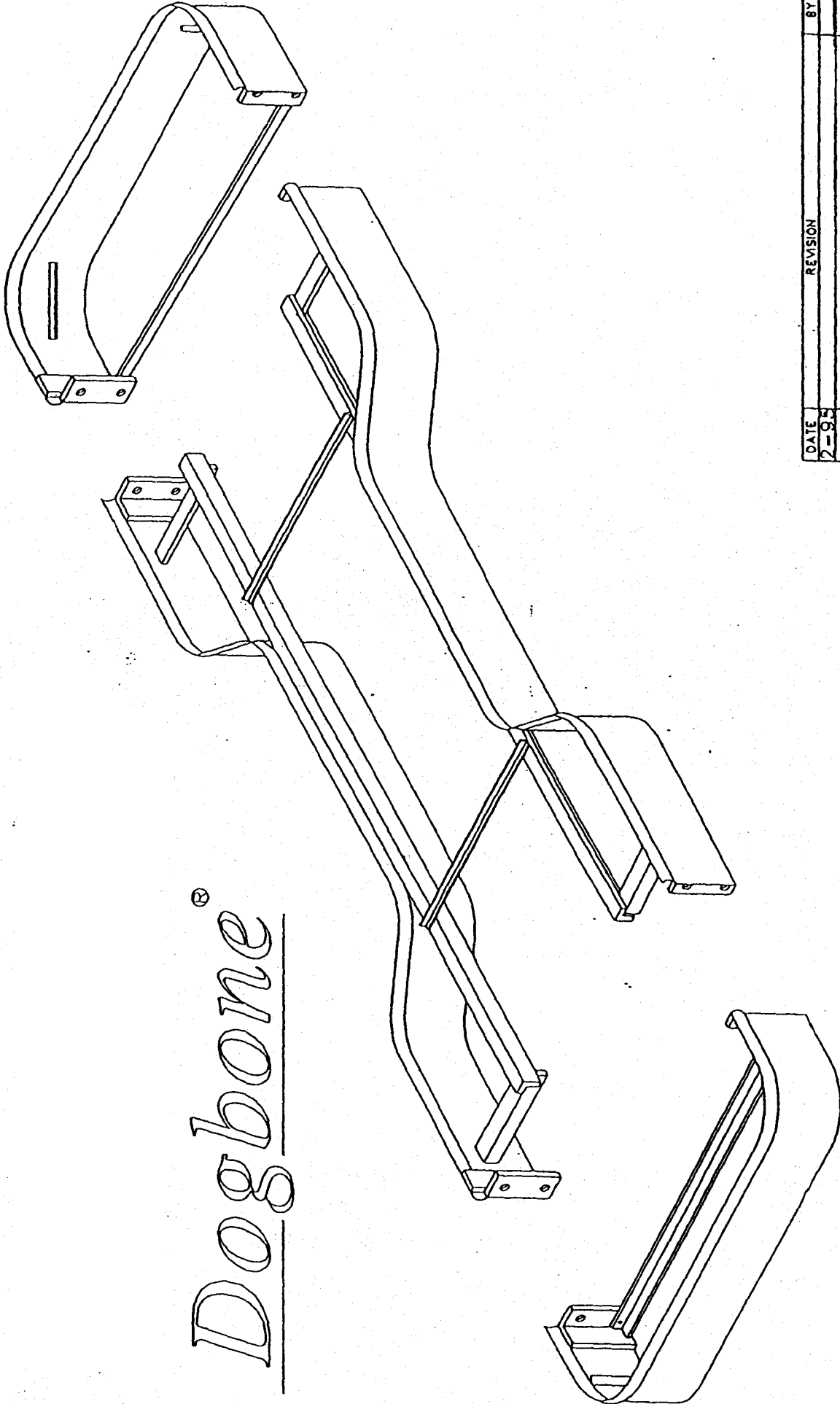


Dogbone[®]



DATE	2-95	REVISION		BY	
SUBJECT		ISOMETRIC OF TAPERED DOGBONE ISLAND FORM			
CUSTOMER					
SCALE: NONE	JOB NO.	DWG. NO. 22895	REV. 22895	S&L NO.	OF

Formex
INCORPORATED